

Varnasan

CONTROL VALVE TECHNOLOGIES

T TYPE STRAINER Stainless Steel, Flanged

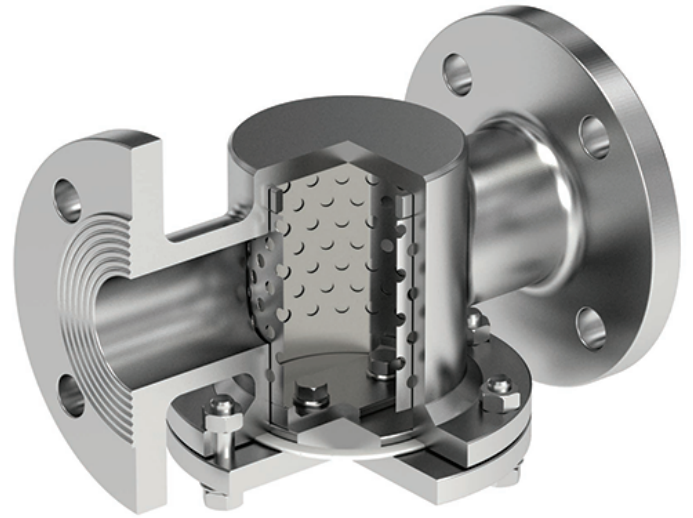
	PN16	PN40
AISI 304	V-MST-04-04F	V-MST-04-07F
AISI 316	V-MST-05-04F	V-MST-05-07F

Design

Size : DN15 - DN125 EN558-1 / F1
 DN150 - DN200 EN558-1 / F5
 Connection : EN 1092-1
 Actuator Connection : ISO 5211

Technical Features

Working Pressure : PN16, PN40
 Working Temperature : -30°C / +180°C
 Usage : Filter hole diameter is 0,9 mm.
 There is 0,5 mm option.



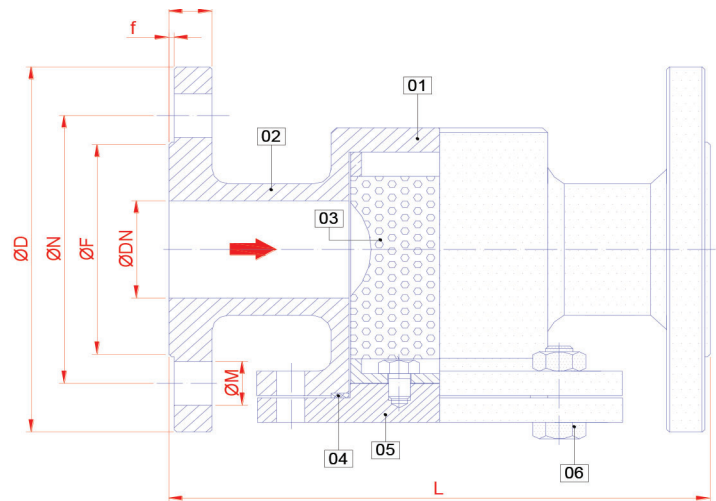
Certificate

CE0408, TS EN 10204 3.1, ISO 9001:2015, SIL3

Application

Corrosive fluids (acids, bases), pharmaceutical raw materials, food, chemical industry, plastic

NO	PART NAME	STAINLESS STEEL
1	BODY	AISI 304-AISI 316
2	CAP	AISI 304-AISI 316
3	FILTER	AISI 304
4	FILTER CAP	AISI 304-AISI 316
5	SEALING	PTFE
6	GASKET	STAINLESS



TYPE	CONNECTION SIZE PN 16									CONNECTION SIZE PN 40					
	DN	L	f	D	b	N	M	F	MN	D	b	N	M	F	MN
STRAINER-FLANGED	DN 15	130	2	95	14	65	14	45	4	95	16	65	14	67	4
	DN 20	150	2	105	16	75	14	58	4	105	18	75	14	83	4
	DN 25	160	2	115	16	85	14	68	4	115	18	85	14	89	4
	DN 32	180	2	140	16	100	18	78	4	140	18	100	18	98	4
	DN 40	200	2	150	16	110	18	88	4	150	18	110	18	114	4
	DN 50	230	2	165	18	125	18	102	4	165	20	125	18	127	4
	DN 65	290	3	185	18	145	18	122	4	185	22	145	18	149	8
	DN 80	310	3	200	20	160	18	138	8	200	24	160	18	168	8
	DN 100	350	3	220	20	180	18	158	8	235	24	190	22	200	8
	DN 125	400	3	250	22	210	18	188	8	270	26	220	26	235	8
	DN 150	350	3	285	22	240	22	211	8	300	28	250	26	270	8